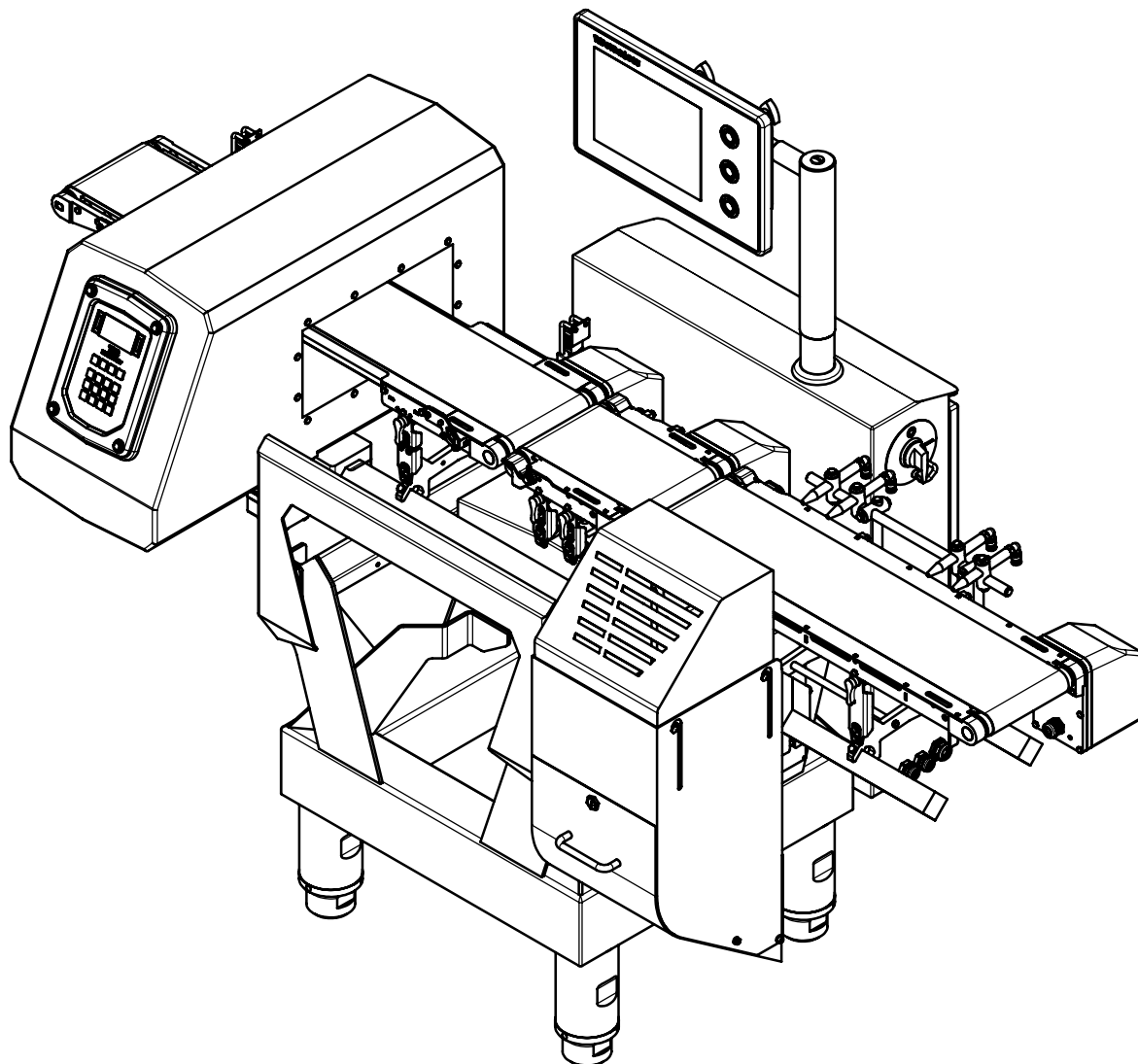


HC-M-WD-MDI

TECHNICAL DATA

CW



WEIGHING AND METAL DETECTION AT HIGHEST HYGIENE REQUIREMENTS

HC-M WD-MDI

WIPOTEC-OCS provides the **HC-M-WD-MDI** a reliable and robust combination of checkweigher and metal detection in an innovative, hygienic wash-down design. This model meets all statutory provisions for the food processing industry like IFS-compliant product control, and HACCP or LMHV/FDA (Food Hygiene Regulations).

An optional cleaning program package enables risk-free cleaning while in operation. This model is a high-precision weighing instrument and fully integrated metal detector all in one compact unit.

The use of high-tech Weigh Cells from WIPOTEC, which operate according to the principle of Electro-Magnetic Force Restoration (EMFR), guarantees optimal weighing results with the best technology.

The easy and intuitive software interface ensures comfortable operation on an 10,4-inch, clearly laid out, colour TFT display with touchscreen. The HC-M-WD-MDi is a reliable high-tech machine, especially in the food sector.



MAIN FEATURES

- ✔ Solid and hygienic stainless steel construction
- ✔ Protection class IP69K for all components

YOUR BENEFITS

- ✔ Fully integrated metal detection for maximum control
- ✔ Optional cleaning program for highest hygiene and efficiency

TECHNICAL DATA

HC-M WD-MDI

BASE DATA

Material of machine	Stainless steel V2A/AISI 304
Machine weight (standard application)	370 kg
Shipping weight (standard application)	440 kg
Protection class	IP69K
Temperature range	-5 °C to +40 °C
Display and operation	Rotatable and tiltable 10,4" colour TFT display with touchscreen
Available dialog languages	Bosnian, Chinese, Croatian, Czech, Danish, Dutch, English, Finnish, French, German, Greek, Hungarian, Italian, Japanese, Latvian, Lithuanian, Polish, Portuguese, Russian, Slovak, Slovenian, Spanish, Swedish, Turkish (other languages on request)
Interfaces ¹⁾	Optionally: Ethernet, OPC, Profibus, ProfiNet, EtherNet/IP, RS232, RS422, RS485
Max. output ²⁾	250 pcs/min
Digital I/O	8xI + 8xO (optionally extendible)
Product parameter storage	100 PPS (optionally 200 / 400 PPS)
Drive	Servo-Technology
Noise level ²⁾	A-weighted emission sound pressure level under 70dB(A)
Rated voltage	L1/N/PE 100-240 VAC
Rated frequency	50/60 Hz
Connect load (power capacity)	Approx. 0.8 kVA
Compressed air supply	6 bar approx. 16NI/min quality class (according to ISO 8573-1) [5:3:3]
Possible maximum numbers of connected motors	3 motors (optionally 2 extendible)
EU-type examination certificate	DE-18-MI006-PTB001 (MID)

WEIGHING DETAILS

	Weigh Cell (Type)	GWR (Gross weighing range)	Dead load max.	e (Min. calibration value)	d (Displayed value)	Standard deviation ²⁾ (1s)	n (Scale division)
HC-M-WD-4000-3	EC-3002-2	3,750 g	12,000 g	≥ 0.5 g	≥ 0.05 g	from 100 mg	7,500
HC-M-WD-4000-2	EC-4002-2	7,500 g	15,000 g	≥ 1.0 g	≥ 0.1 g	from 100 mg	7,500

1) Optionally, surcharge

2) Depending on product shape, product behavior, transport speed and environmental condition

TECHNICAL DATA

HC-M **WD-MDI**

CONVEYOR DIMENSIONS

		Dimensions weighing conveyor		
length \ width		150 mm	250 mm	350 mm
250 mm ¹⁾		x	-	-
300 mm		x	x	-
400 mm		-	x	x
500 mm		-	x	x

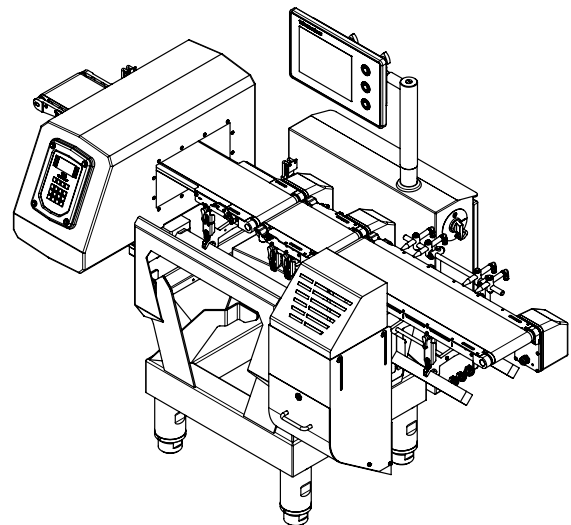
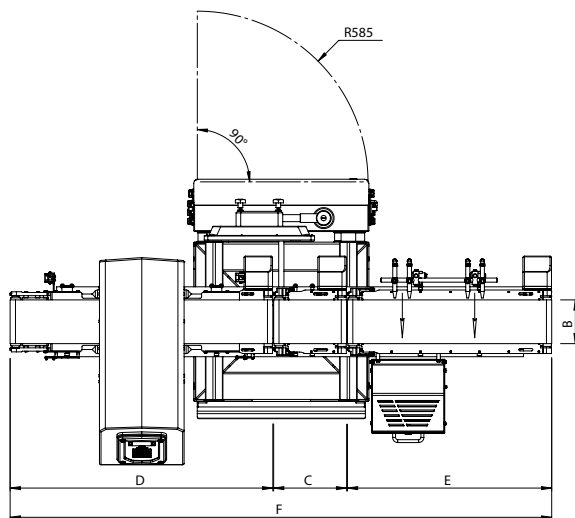
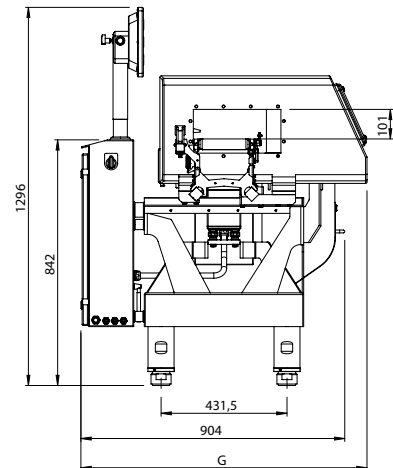
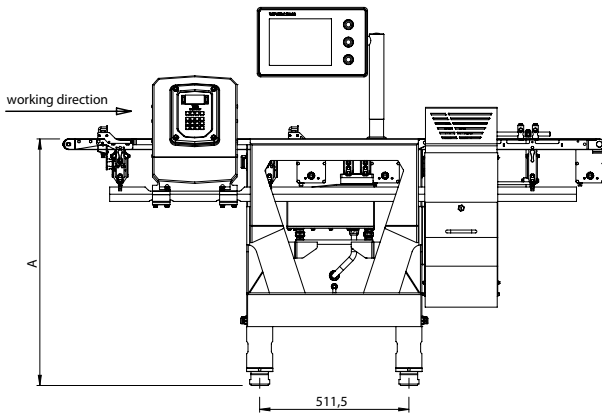
		Dimensions outfeed conveyor		
length \ width		150 mm	250 mm	350 mm
250 mm ¹⁾		x	-	-
300 mm		x	x	-
400 mm		x	x	x
500 mm		x	x	x
600 mm		x	x	x

		Dimensions infeed conveyor (metal detector conveyor)		
length \ width		150 mm	250 mm	350 mm
800 mm - 1.100 mm		Depending on the metal detector (dimensions)		

1) Optionally, surcharge

MACHINE DIMENSIONS

HC-M WD-MDI



A = Working height ¹⁾	700-1,085 mm ¹⁾
B = Conveyor width	150 / 250 / 350 mm
Conveyor technology (VA35WA)	roller diameter 35 mm
C = Weighing conveyor length	250 ²⁾ / 300 / 400 / 500 mm
D = Infeed conveyor length ³⁾	800-1,100 mm depending on the used metal detector
E = Outfeed conveyor length	250 ²⁾ / 300 / 400 / 500 mm
F = Total length	D + C + E + 10 mm
G = Total width	990 mm depending on machine configuration

1) Working height must be specified when ordering

2) Optionally, surcharge

3) Depending on the metal detector (dimensions)

These specifications are reference values of the standard machine excluding application- or weighing-specific add-on parts.
All entries in mm | Drawing shows design example

